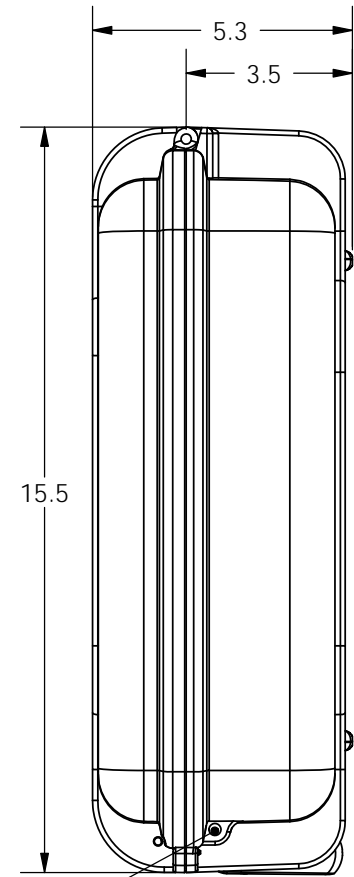
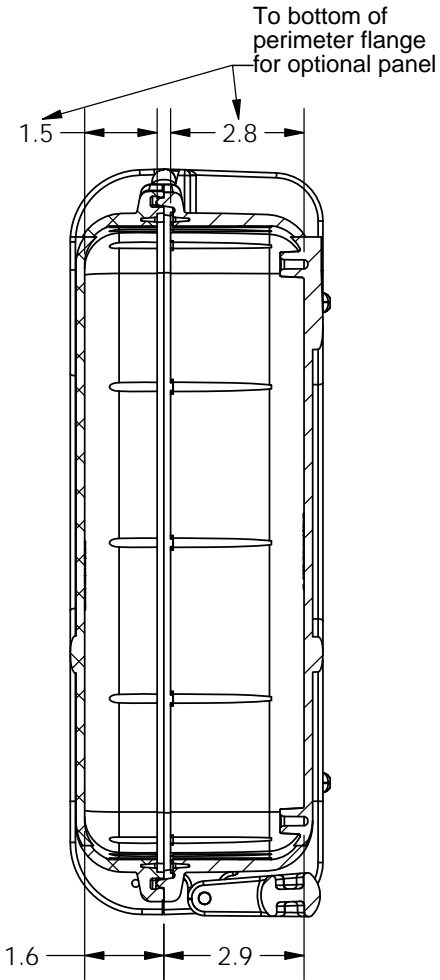
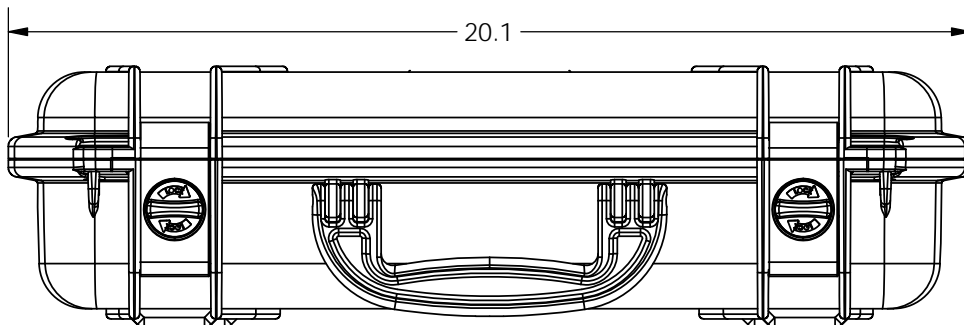
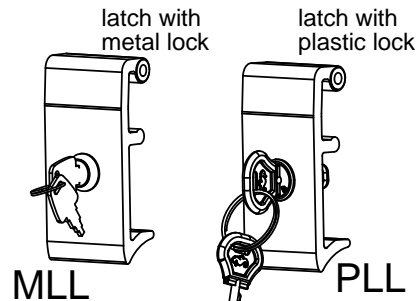


two Padlock holes



Holes for shoulder strap.  
PN 8704 (not included)



Optional latches  
must be specified at  
time of order.  
See note 2

**NOTES:**

- 1) Max. usable inside dimensions are:  
18 5/16" X 13 3/16" X 4 1/16"  
(4 9/16" bottom of boss) (18.3" X 13.2" X 4.1")
- 2) With Metal Lock Latches p/n SE710ML  
and Plastic Lock Latches p/n SE710PL  
are optional.